



EXPLODED VIEW

ELITE 5 OFF

NOVAROSSI WORLD S.r.l.

Via Europa, 20/A - 25040 Monticelli Brusati (BS) - ITALIA

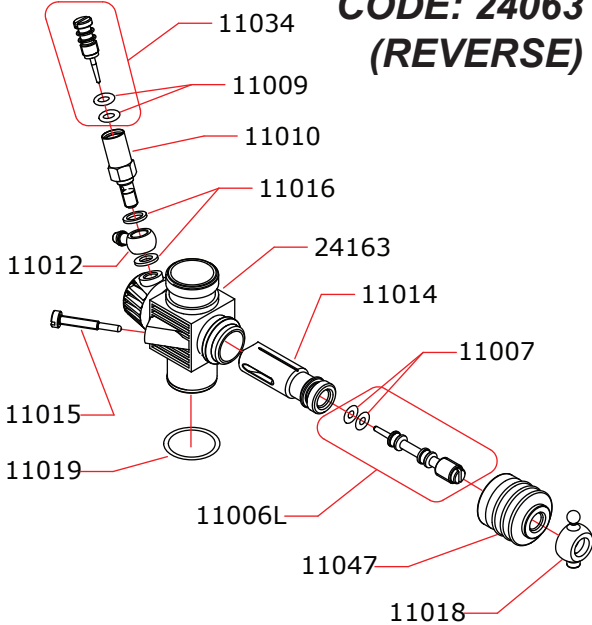
web: www.novarossi.it | e-mail: info@novarossi.it

Tel. +39 030/6850316 | Fax: +39 030/6850314

I disegni sono puramente indicativi / Drawings are just indicative.

CARBURETTOR

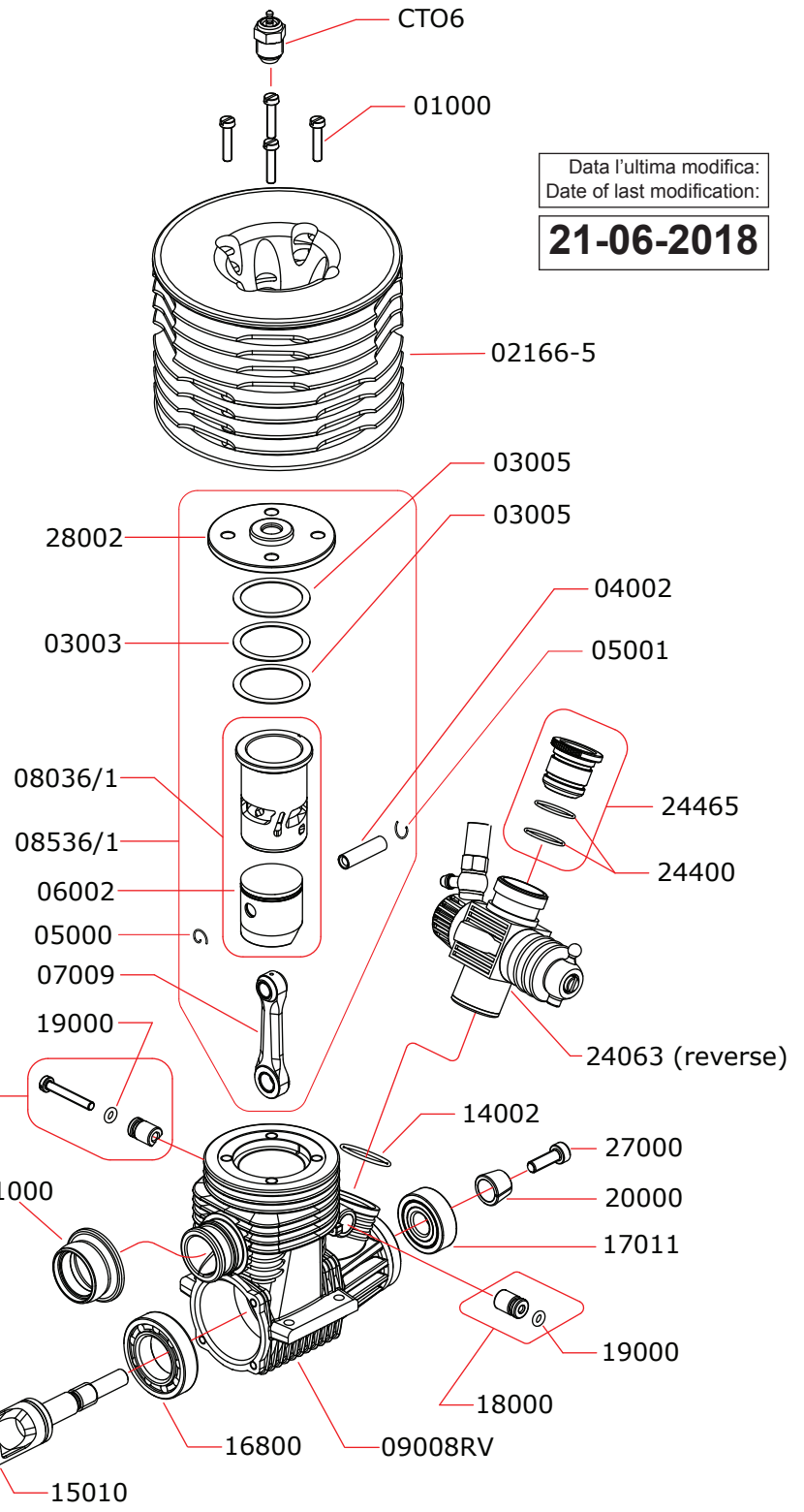
**CODE: 24063
(REVERSE)**



Optional		
	24470	7.0 mm
	24475	7.5 mm
	24480	8.0 mm
	03001	0.10 mm
	03002	0.15 mm
	03004	0.25 mm

Data l'ultima modifica:
Date of last modification:

21-06-2018



Pipes Recommended

	51006M (EFRA 9901)	With ring, 3 chambers reinforced tube
	51020M (EFRA 2096)	With ring, 3 chambers reinforced tube, IFMAR WC
	51016 (EFRA 9901)	With ring, 3 chambers stronger walls

Manifolds Recommended

	41021	Short, 2 rings
	41029	Compact short, 2 rings for Mugen cars
	41030	Compact long, 2 rings for Mugen cars

**La NOVAROSSI WORLD S.r.l. si riserva il diritto di apportare modifiche al prodotto senza preavviso.
NOVAROSSI WORLD S.r.l. reserves the right to modify products without prior notice**