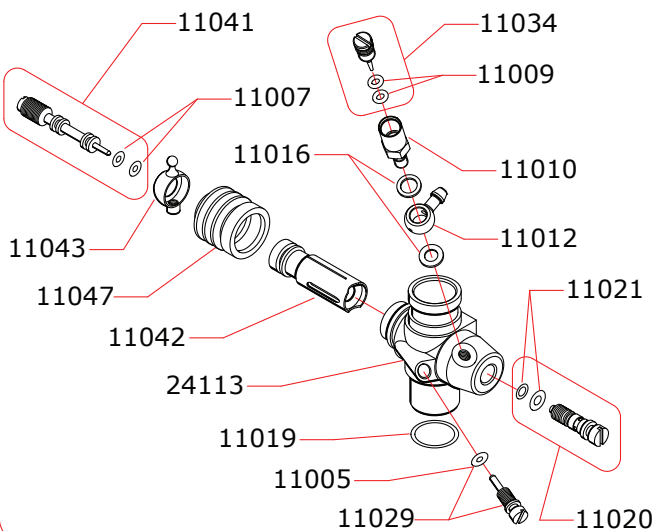


CARBURETTOR CODE: 24028

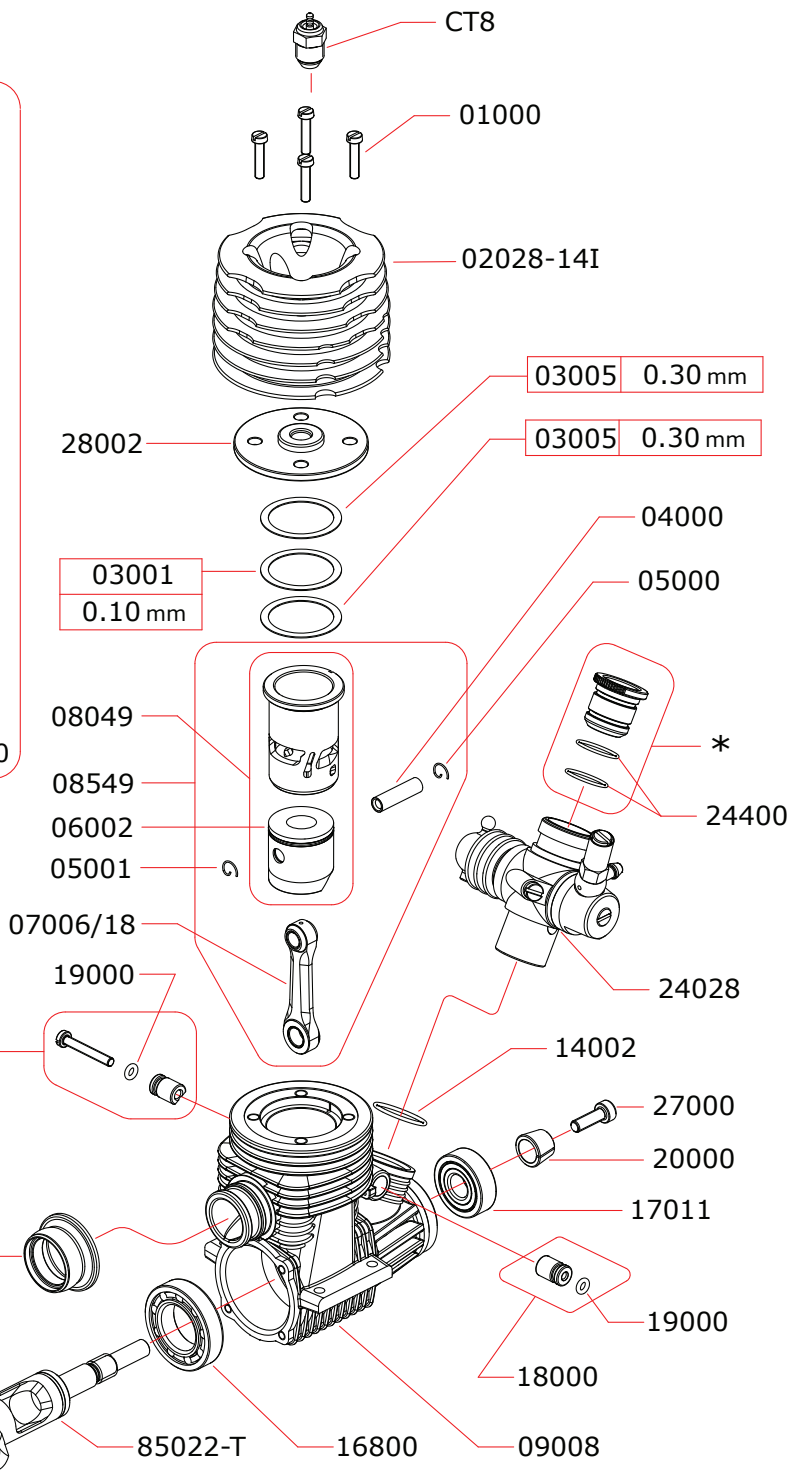
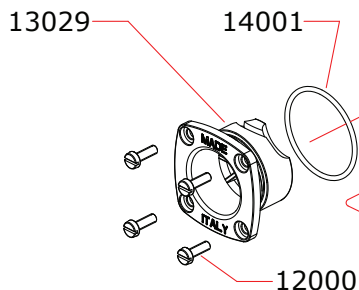


*

24480	8.0 mm
24485	8.5 mm
24490	9.0 mm

Optional

03002	0.15 mm
03003	0.20 mm
03004	0.25 mm



Data l'ultima modifica: **08-04-2019**
 Date of last modification:

Pipes Recommended

51009 (EFRA 2006)	With ring, 3 chambers
51010 (EFRA 2015)	With ring, 3 chambers
51011 (EFRA 2052)	With ring, 3 chambers

Manifolds Recommended

41015	Conical short, 2 rings
41016	Conical medium, 2 rings
41017	Conical long, 2 rings