

EXPLODED VIEW

S21P5XLT/16

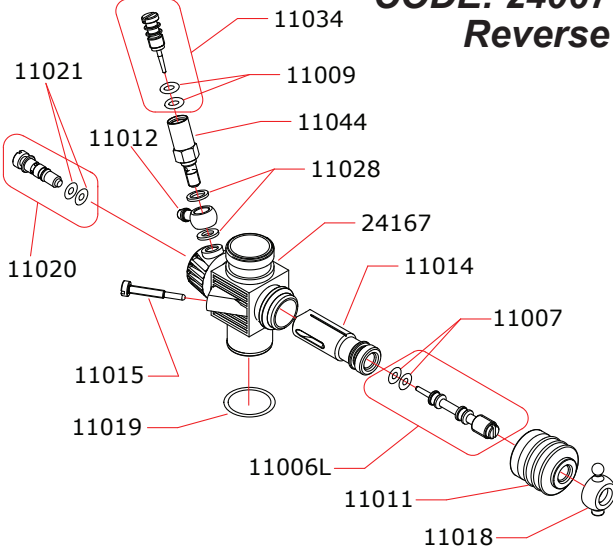
NOVAROSSİ WORLD S.r.l.

Via Europa, 20/A - 25040 Monticelli Brusati (BS) - ITALIA
 web: www.novarossi.it | e-mail: info@novarossi.it
 Tel. +39 030/6850316 | Fax: +39 030/6850314

I disegni sono puramente indicativi / Drawings are just indicative.

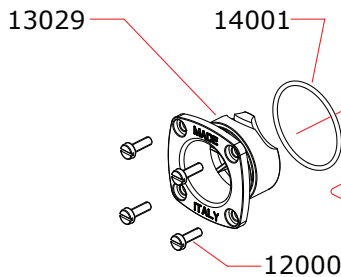
CARBURETTOR

CODE: 24067
Reverse



*	24454	5.4 mm
	24460	6.0 mm
	24465	6.5 mm
	24470	7.0 mm
	24480	8.0 mm

Optional		
○	03002	0.15 mm
	03001	0.10 mm
	03004	0.25 mm

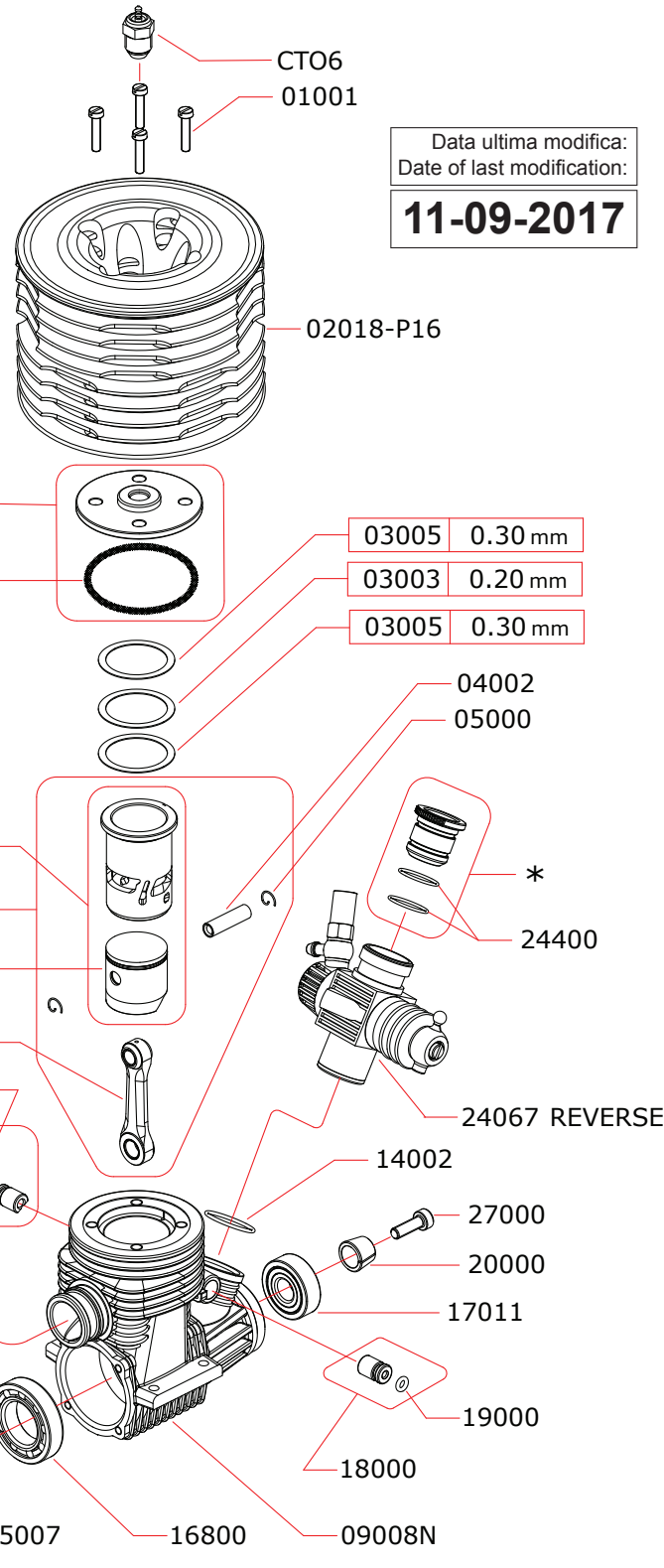


Pipes Recommended

	51006 (EFRA 9901)	With ring, 3 chambers
	51016 (EFRA 9901)	With ring, 3 chambers stronger walls
	51017 (EFRA 9853)	With ring, 2 chambers stronger walls

Manifolds Recommended

	41021	Short, 2 rings
	41029	Compact short, 2 rings for Mugen cars
	41030	Compact long, 2 rings for Mugen cars



Data ultima modifica:
 Date of last modification:
11-09-2017