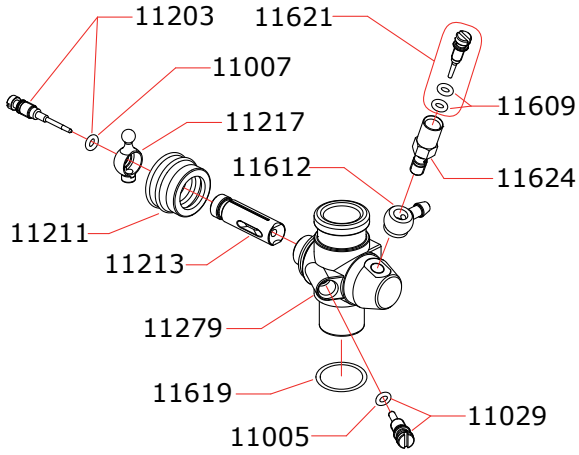
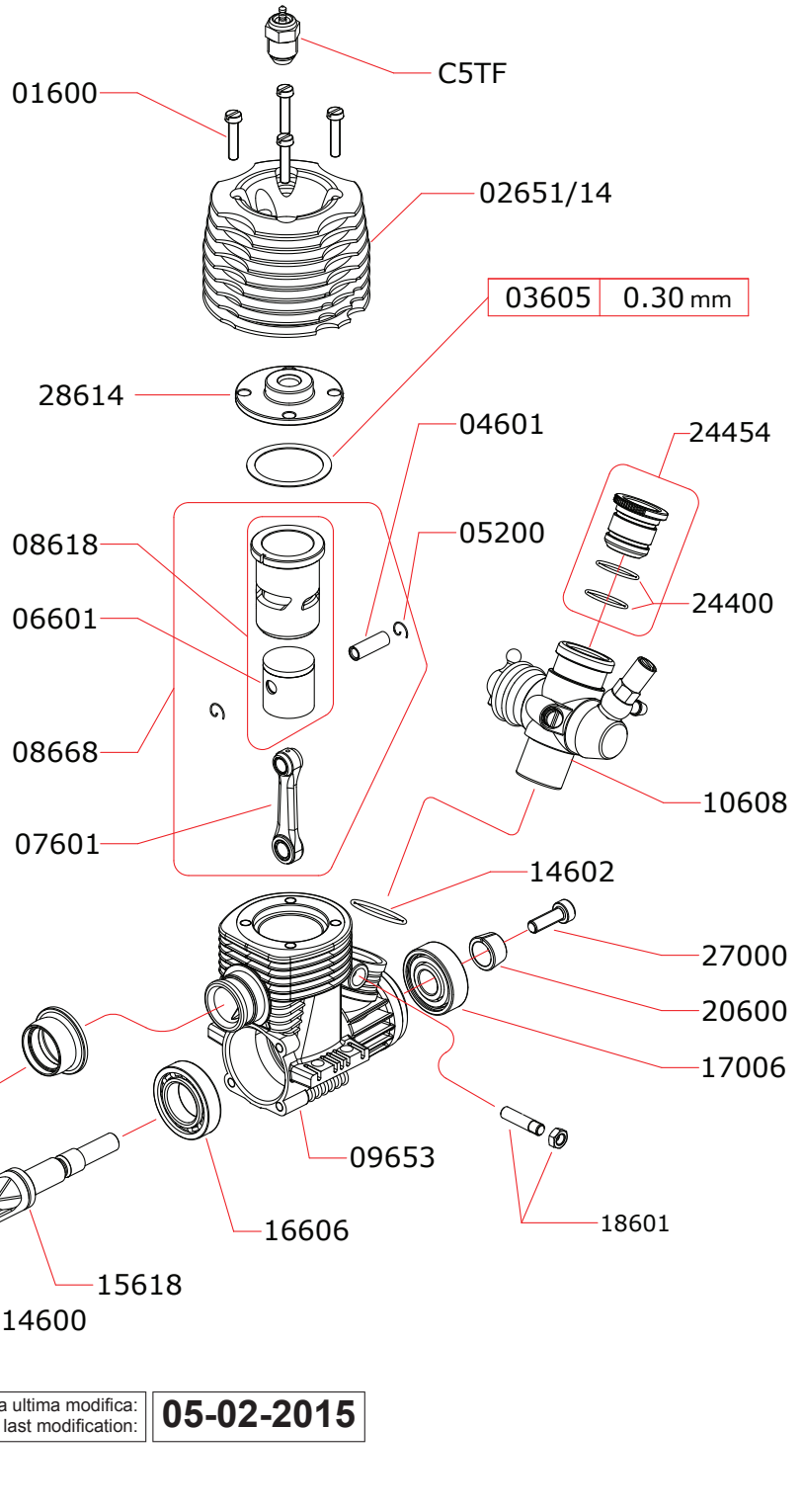


CARBURETTOR

CODE: 10608



Optional	
	03601 0.10 mm
	03602 0.15 mm



Data ultima modifica: **05-02-2015**
Date of last modification:

Pipes Recommended

	51610 (EFRA 2630)	With ring, 2 chambers
	51614 (EFRA 2652)	With ring, 2 chambers
	51615 (EFRA 2660)	With ring, 2 chambers conical tube

Manifolds Recommended

	41616	Conical medium, 2 rings