



EXPLODED VIEW

ELITE 8 OFF
ELITE 8 OFFS
ELITE 8 OFFH

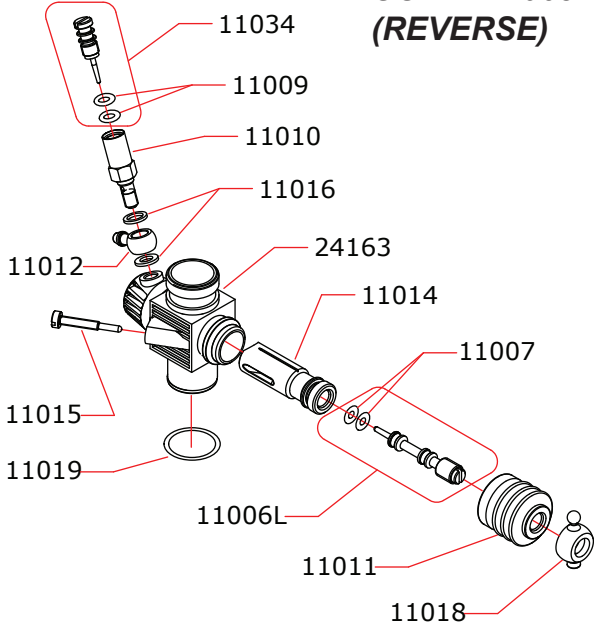
NOVAROSSİ WORLD S.r.l.

Via Europa, 20/A - 25040 Monticelli Brusati (BS) - ITALIA
 web: www.novarossi.it | e-mail: info@novarossi.it
 Tel. +39 030/6850316 | Fax: +39 030/6850314

I disegni sono puramente indicativi / Drawings are just indicative.

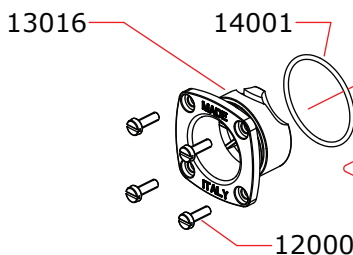
Data l'ultima modifica: **02-09-2015**
 Date of last modification:

CARBURETTOR
CODE: 24063
(REVERSE)



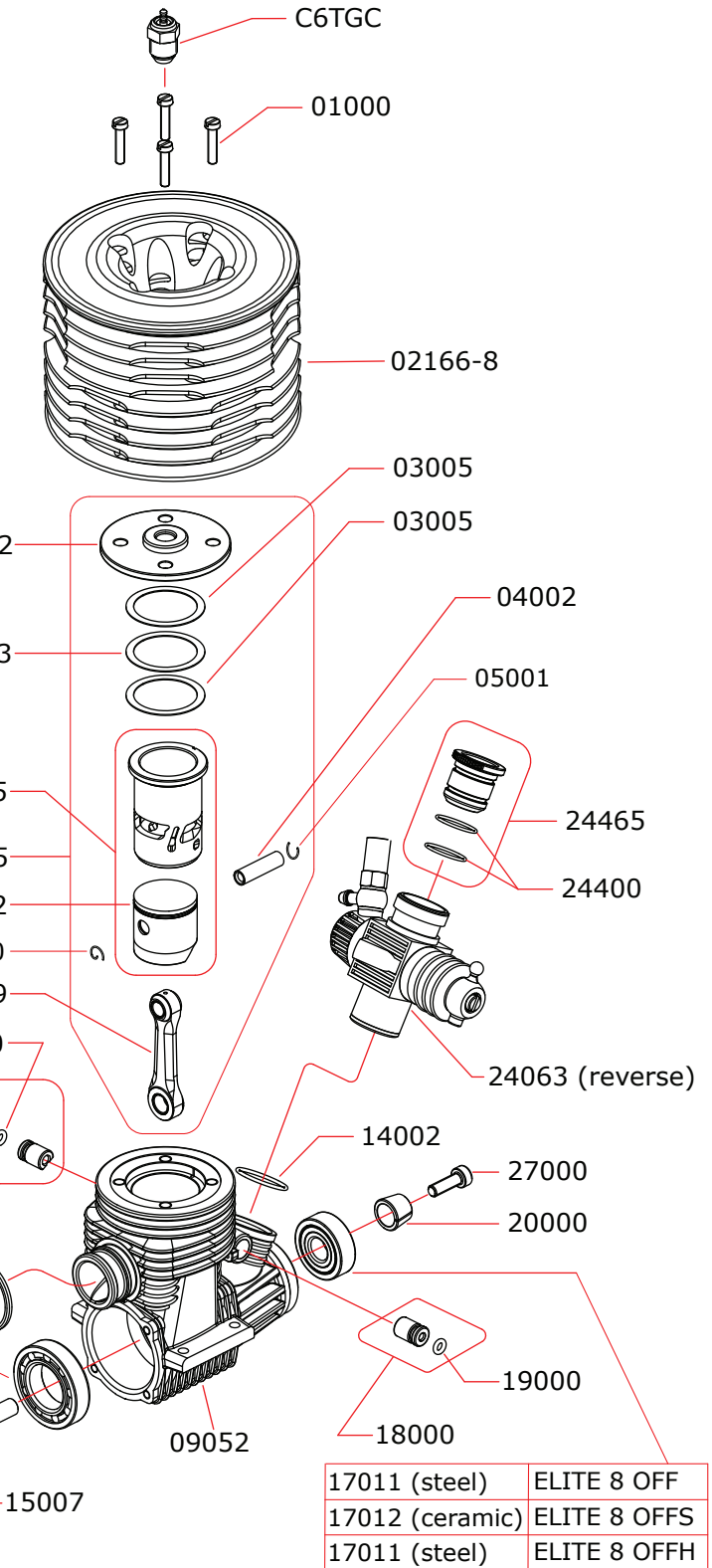
| Optional | | |
|----------|-------|---------|
| | 24470 | 7.0 mm |
| | 24475 | 7.5 mm |
| | 24480 | 8.0 mm |
| | 03001 | 0.10 mm |
| | 03002 | 0.15 mm |
| | 03004 | 0.25 mm |

| | |
|-----------------|--------------|
| 16800 (steel) | ELITE 8 OFF |
| 16801 (ceramic) | ELITE 8 OFFS |
| 16801 (ceramic) | ELITE 8 OFFH |



Pipes Recommended

| | | |
|--|--------------------|---|
| | 51006M (EFRA 9901) | With ring, 3 chambers reinforced tube |
| | 51020M (EFRA 2096) | With ring, 3 chambers reinforced tube, IFMAR WC |
| | 51016 (EFRA 9901) | With ring, 3 chambers stronger walls |



| | |
|-----------------|--------------|
| 17011 (steel) | ELITE 8 OFF |
| 17012 (ceramic) | ELITE 8 OFFS |
| 17011 (steel) | ELITE 8 OFFH |

Manifolds Recommended

| | | |
|--|-------|---------------------------------------|
| | 41021 | Short, 2 rings |
| | 41029 | Compact short, 2 rings for Mugen cars |
| | 41030 | Compact long, 2 rings for Mugen cars |

La NOVAROSSİ WORLD S.r.l. si riserva il diritto di apportare modifiche al prodotto senza preavviso.
NOVAROSSİ WORLD S.r.l. reserves the right to modify products without prior notice