

EXPLODED VIEW

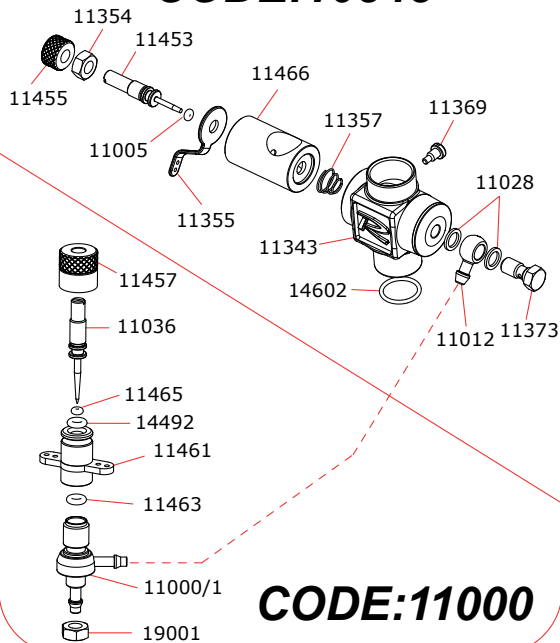
To-Be.46 | ToBe.46/A
To-Be.46/N | ToBe.46/AN

NOVAROSSO WORLD S.r.l.

Via Europa, 20/A - 25040 Monticelli Brusati (BS) - ITALIA
web: www.novarossi.it | e-mail: info@novarossi.it
Tel. +39 030/6850316 | Fax: +39 030/6850314

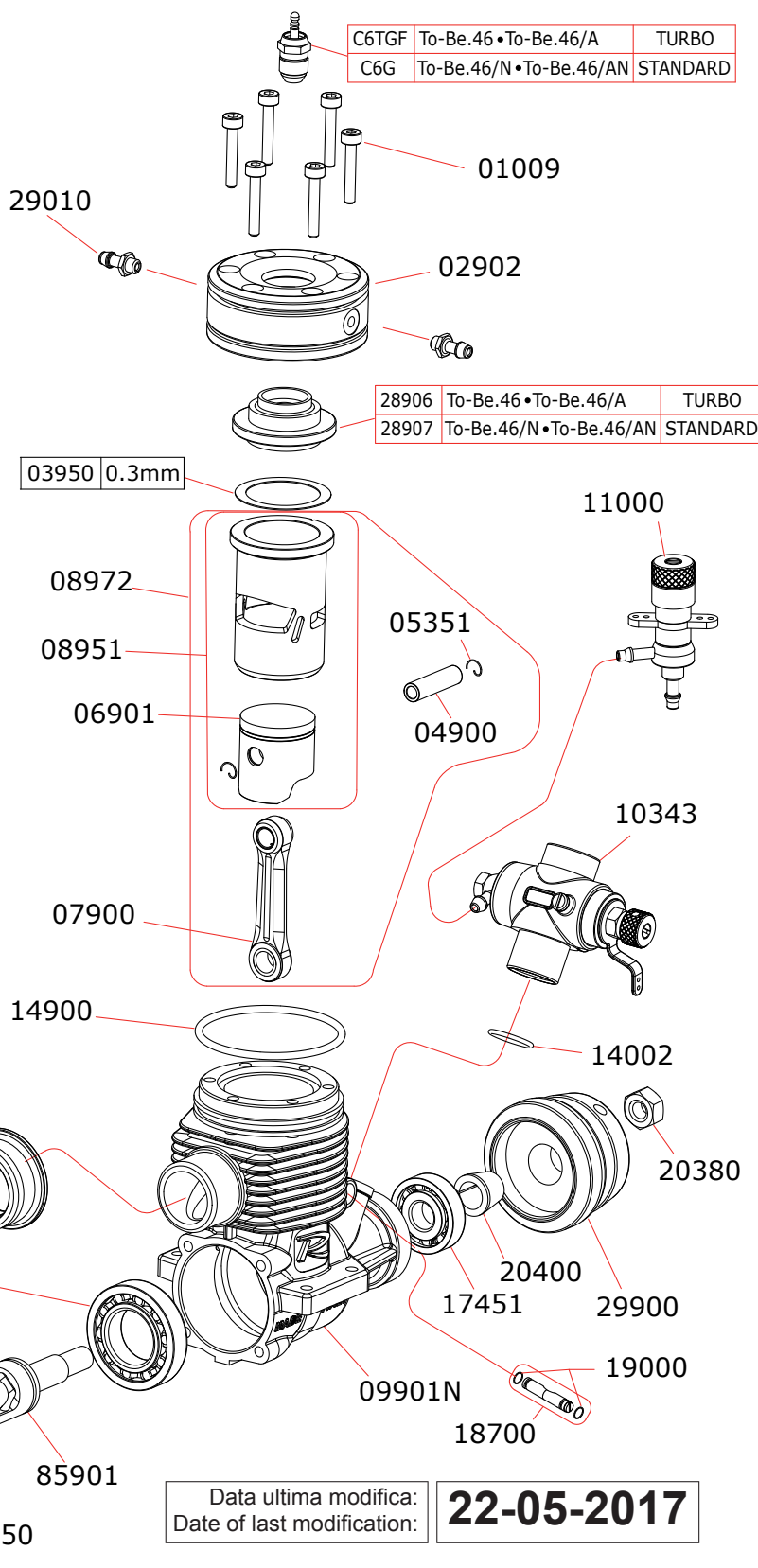
I disegni sono puramente indicativi / Drawings are just indicative.

CARBURETTOR: CODE:10343



CODE:11000

Optional		
	03951	0.10mm
	03953	0.15mm
	03952	0.20mm



C6TGF	To-Be.46 • To-Be.46/A	TURBO
C6G	To-Be.46/N • To-Be.46/AN	STANDARD

28906	To-Be.46 • To-Be.46/A	TURBO
28907	To-Be.46/N • To-Be.46/AN	STANDARD

16371	To-Be.46 • To-Be.46/N	CERAMIC
16370	To-Be.46/A • To-Be.46/AN	STEEL

Data ultima modifica: **22-05-2017**
Date of last modification:

Pipes Recommended

	50900	Silencer
	50902	Super silenced with cooling
	50903	Without silencer

Manifolds Recommended

	40900	Curved 15° with cooling
	40901	Curved 180° with cooling
	40902	Curved 15°