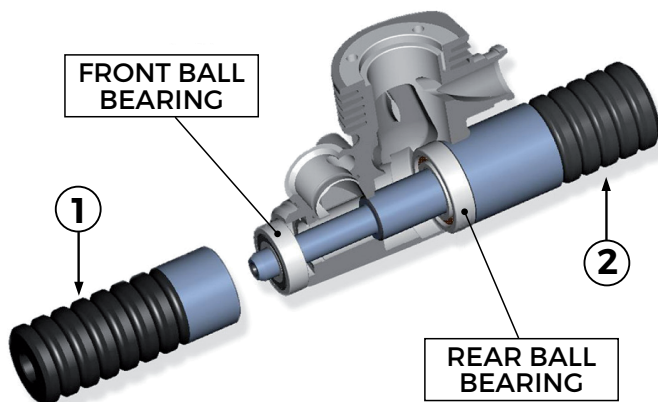
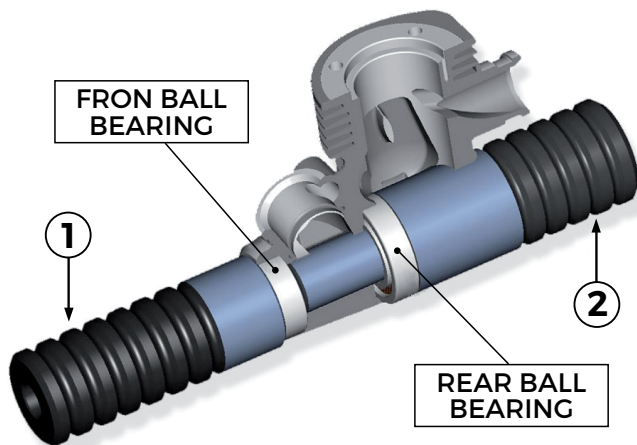


KIT BALL BEARINGS ASSEMBLING

COD. 39000 / 39001 / 39002
39600 / 39601 / 39602 / 39372



- Put the rear ball bearing on item 2 and insert it on the rear side of the crankcase;
- Put the front ball bearing on item 2;
- Put item 1 against the front ball bearing;



- Hold item 2 and hit on the end of item 1 with a hammer.